



DUX

LIGHTING AGENCIES

L600 pictured

DUX L.A. 4 Villiers Drive, Currumbin, Queensland, Australia 4223 • Phone: (07) 5598 1216 • Fax: (07) 5598 1972
 Web: www.duxlighting.com.au • Email: info@duxlighting.com.au

FEBRUARY 2007

ROBUST LANDSCAPE LIGHTING

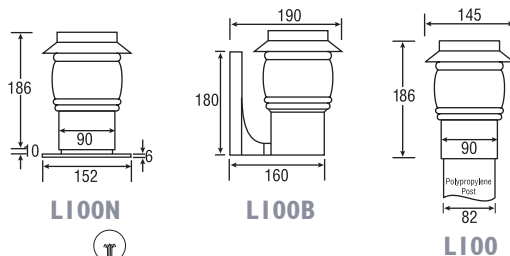
FITTING NAME
FEATURES
VARIATIONS
LAMP OPTIONS

L100 LANTERN LIGHT

Polycarbonate Lens (IP 36)
 Polypropylene Hat

Bollard L100
 Wall Bracket L100B
 Newell Mount L100N

L100: 60W max. GLS BC
 L100H: 60W max. GLS BC (head only)
 L100/9: 9W PL
 L100/LV: 20W 12v. Halogen Capsule G4



L100



L100 LENS



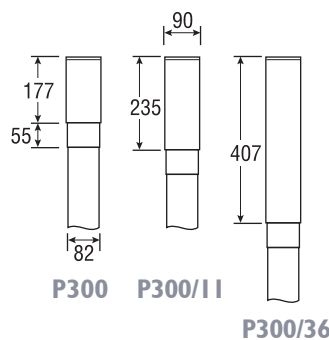
FITTING NAME
FEATURES
VARIATIONS
LAMP OPTIONS

P300 PENCIL LIGHT

High Impact Acrylic Lens (IP 36)

Bollard P300

P300: 40W max. GLS BC
 P300H: 40W max. GLS BC (Head Only)
 P300/9: 9W PL
 P300/11: 11W PL-L
 P300/13: 13W PLC
 P300/36: 36W PL-L
 P300/LV: 20W 12v. Halogen Capsule G4



P300



P300 LENS



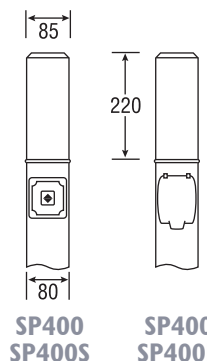
FITTING NAME
FEATURES
VARIATIONS
LAMP OPTIONS

SP400 SQUARE PENCIL LIGHT

Opal Acrylic Lens (UV Stabilised)
 IP36 PVC Post: Green/ Black/ White

Bollard SP400
 Switch SP400S
 Power Point SP400PP

SP400: 40W max. GLS BC
 SP400/9: 9W PL
 SP400/13: 13W PLC



SP400

SP400S

SP400PP



Robust is a range of exterior lighting products, including bollards, wall brackets and newell fittings (pillar mount), Australian designed and manufactured to perform year in/year out, in our testing Australian conditions. The Robust range is a flexible system which allows a multitude of colour, style and lamp options to suit all architectural styles.

Robust will add quality and value to your exterior lighting project.

Features:

- high resistance to corrosion
- solid thermo-plastic construction; no broken glass hazards
- UV stabilised
- Unique Hydro-vent collar (see back page)

Lamp Options: Incandescent (not supplied), Fluorescent and Low Voltage (supplied).

Accessories and parts available separately.

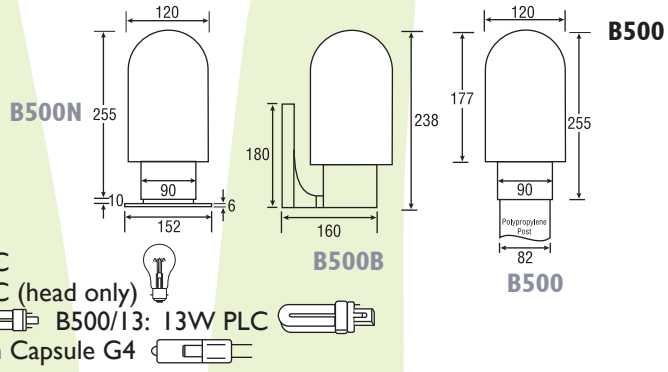
Robust Flange (RF) fits all models for newell mounting of light fittings. It is a polypropylene base with three fixing holes.

Robust posts (RP) are standard 82mm diameter and 750mm long polypropylene. Also available in 1000mm, 1500mm, 2000mm, 2250mm and 3000mm lengths. Accepts Robust Flange.

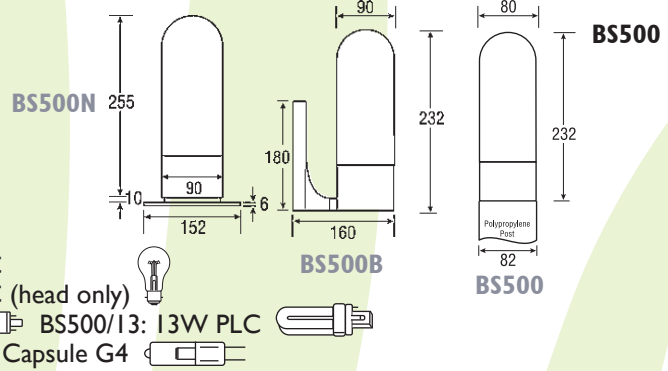


Available colours are Green, Black, Cream, White.

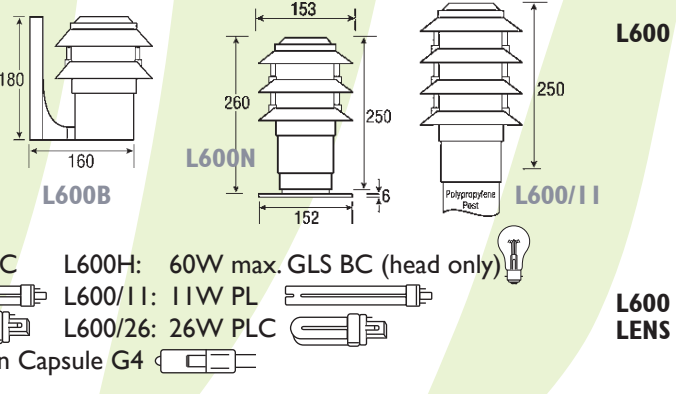
FITTING NAME	B500 BULLET LIGHT
FEATURES	Polyethylene Opal Lens IP36
VARIATIONS	Bollard B500 Wall Bracket B500B Newell Mount B500N
LAMP OPTIONS	B500: 60W max. GLS BC B500H: 60W max. GLS BC (head only) B500/9: 9W PL B500/13: 13W PLC B500/LV: 20W 12v Halogen Capsule G4



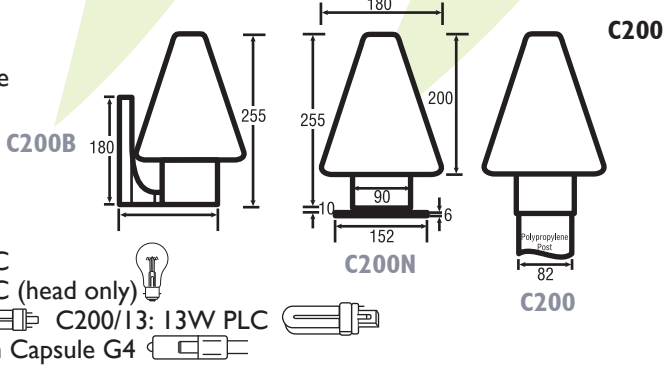
FITTING NAME	BS500 SMALL BULLET LIGHT
FEATURES	Polyethylene Opal Lens IP36
VARIATIONS	Bollard BS500 Wall Bracket BS500B Newell Mount BS500N
LAMP OPTIONS	BS500: 40W max. GLS BC BS500H: 40W max. GLS BC (head only) BS500/9: 9W PL BS500/13: 13W PLC BS500/LV: 20W 12v Halogen Capsule G4



FITTING NAME	L600 LOUVRE LIGHT
FEATURES	High impact Acrylic Lens
VARIATIONS	Bollard L600 Wall Bracket L600B Newell Mount L600N
LAMP OPTIONS	L600: 60W max. GLS BC L600/9: 9W PL L600/18: 18W PLC L600/LV: 20W 12v Halogen Capsule G4 L600H: 60W max. GLS BC (head only) L600/11: 11W PL L600/26: 26W PLC



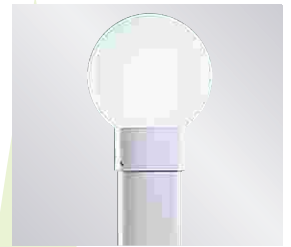
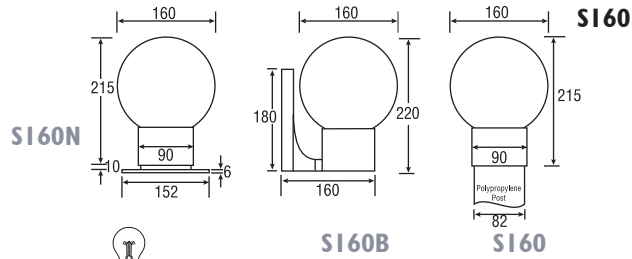
FITTING NAME	C200 CONE LIGHT
FEATURES	200mm PMMA Acrylic Cone IP36
VARIATIONS	Bollard C200 Wall Bracket C200B Newell Mount C200N
LAMP OPTIONS	C200: 40W max. GLS BC C200H: 40W max. GLS BC (head only) C200/9: 9W PL C200/13: 13W PLC C200/LV: 20W 12v Halogen Capsule G4



SPHERE LIGHTS

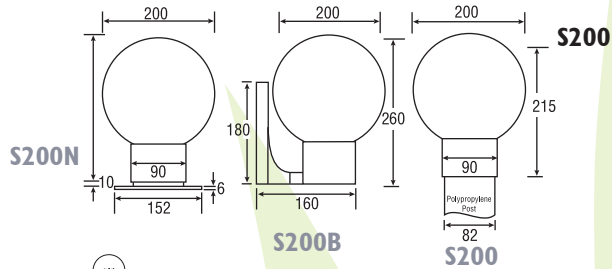
Polyethylene and Acrylic spheres give superior resistance to discolouring. Available in incandescent, fluorescent and low voltage configurations. Sphere colour range includes Opal, Smoke, Prismatic, Amber and Clear. Ask about availability.

FITTING NAME	S160 SPHERE LIGHT
FEATURES	160mm PMMA Acrylic Sphere IP36
VARIATIONS	Bollard S160 Wall Bracket S160B Newell Mount S160N
LAMP OPTIONS	S160: 40W max. GLS BC S160H: 40W max. GLS BC (head only) S160/9: 9W PL S160/13: 13W PLC S160/LV: 20W 12v Halogen Capsule G4



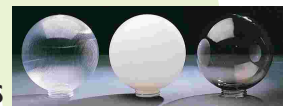
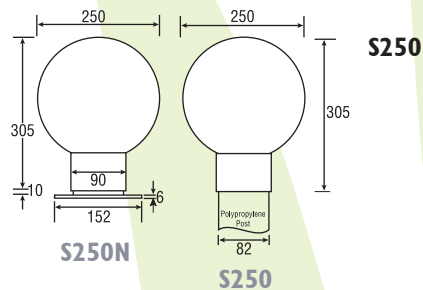
S160 SPHERE COLOURS

FITTING NAME	S200 SPHERE LIGHT
FEATURES	200mm PMMA Acrylic Sphere IP36
VARIATIONS	Bollard S200 Wall Bracket S200B Newell Mount S200N
LAMP OPTIONS	S200: 60W max. GLS BC S200H: 60W max. GLS BC (head only) S200/9: 9W PL S200/13: 13W PLC S200/LV: 20W 12v Halogen Capsule G4



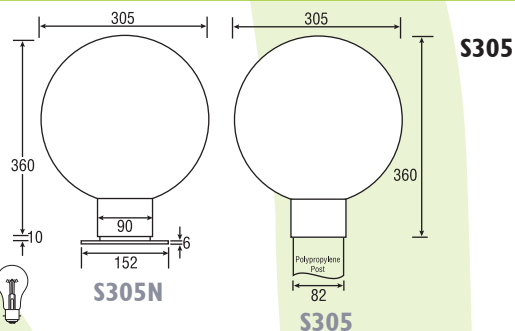
S200 SPHERE COLOURS

FITTING NAME	S250 SPHERE LIGHT
FEATURES	250mm PMMA Acrylic Sphere IP36
VARIATIONS	Bollard S250 Newell Mount S250N
LAMP OPTIONS	S250: 60W max. GLS BC S250H: 60W max. GLS BC (head only) S250/11: 11W PL S250/18: 18W PLC S250/26: 26W PLC

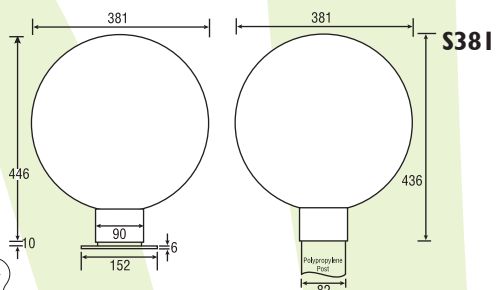


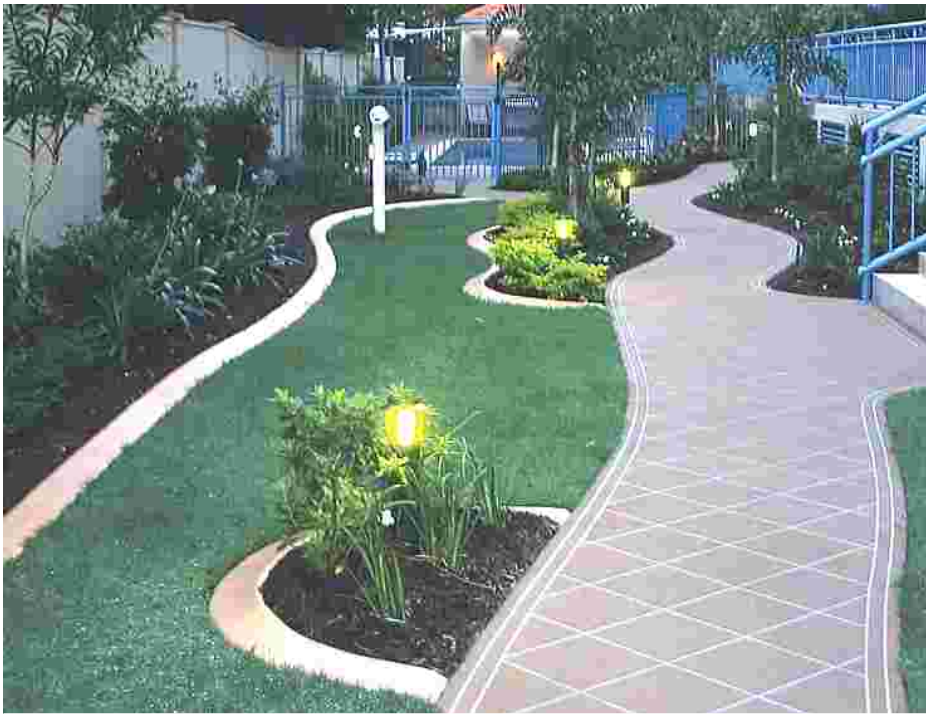
S250 SPHERE COLOURS

FITTING NAME	S305 SPHERE LIGHT
FEATURES	300mm Polyethylene Opal Sphere IP26
VARIATIONS	Bollard S305 Newell Mount S305N
LAMP OPTIONS	S305: 60W max. GLS BC S305H: 60W max. GLS BC (head only) S305/11: 11W PL S305/26: 26W PLC



FITTING NAME	S381 SPHERE LIGHT
FEATURES	381mm Polyethylene Opal Sphere IP26
VARIATIONS	Bollard S381 Newell Mount S381N
LAMP OPTIONS	S381: 60W max. GLS BC S381H: 60W max. GLS BC (head only) S381/26: 26W PLC





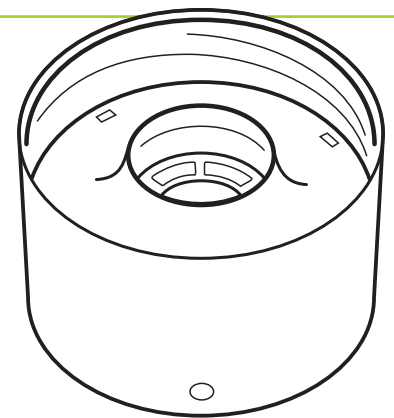
THE ROBUST HYDRO VENT

Until now, many designs of exterior post-mounted light fittings have been prone to failure due to entrapped water vapour arising from condensation.

Heat generated by the lamp or control gear evaporates moisture in the ground and draws it through the post into the lamp head fitting. Once there, it condenses on the inside of the head fitting and trickles down to the flange or post mount. It can also run into the lamp source or electric circuitry.

Our unique Hydro Vent Collar collects this condensed water vapour and channels it to the outside of the post, eliminating any risk of damage to the fitting or circuit.

This simple, but effective Australian design solution allows Dux Lighting to provide a product which is protected from potential condensation and water damage.



This Australian-designed collar helps extend the life of the fitting.

CONTACT YOUR LOCAL DEALER:

