

MOONWALK

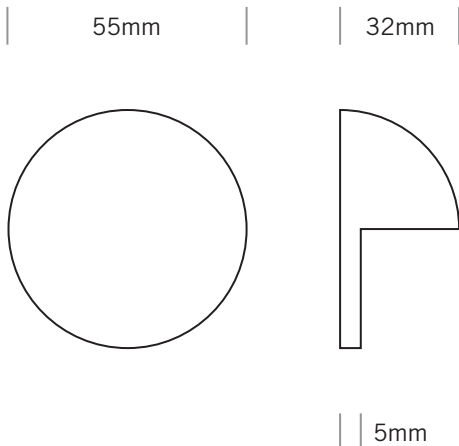
DL55



DL55-BR-1W



DL55-N-1C



OVERVIEW

A surface mounted luminaire providing low level illumination suitable for extreme corrosive environments. Sandcast in Gunmetal Bronze, it features a single high powered LED. Designed and made in Australia.

WARRANTY

20 years structural. 5 years electrical.

APPLICATIONS

Landscape lighting - Architectural feature lighting.

MATERIALS

Body - Gunmetal.
Lens - Frosted Acrylic.

COLOURS

Bronze.
Nickel Silver.
Powder coat colours available on request.
LED Colours:
Cool White, Warm White, Red, Blue, Green, Amber, Cyan

SPECIFICATIONS

INPUT POWER

12V AC/DC with onboard driver.
OR series wired LED with remote 350/700 mA driver.

POWER CONSUMPTION

12V AC/DC – 1.2W
350mA – 1.4W
700mA -3W

LUMEN OUTPUT

12V AC/DC – 96 lux at 500mm
350mA – 100 lux at 500mm
700mA – 148 lux at 500mm

LUMEN MAINTENANCE

70% at 50,000 hrs minimum.

SPECIFICATION PREVIEW

MOONWALK BRONZE

CODE	FINISH	NO. OF LEDS	LED COLOUR*
DL55	BR	1	C (Cool White) W (Warm White)

*Other colours available on request. Contact Dux Lighting for availability.

MOONWALK NICKEL

DL55	N	1	C (Cool White) W (Warm White)
------	---	---	----------------------------------

*Other colours available on request. Contact Dux Lighting for availability.

DUX LIGHTING
4 Villiers Drive,
Currumbin, Qld 4223

Phone: 61+7 5598 1216
Fax: 61+7 5598 1972
Web: duxlighting.com.au

